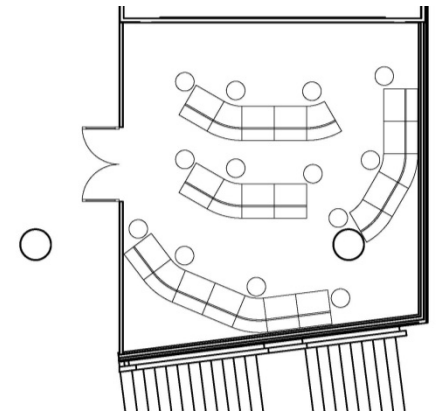
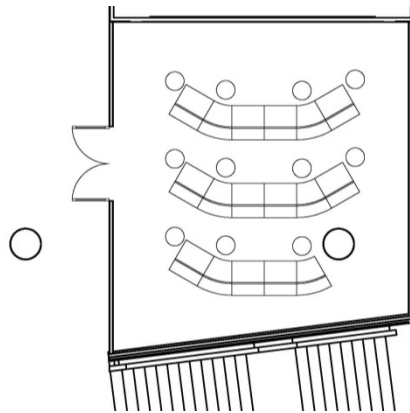
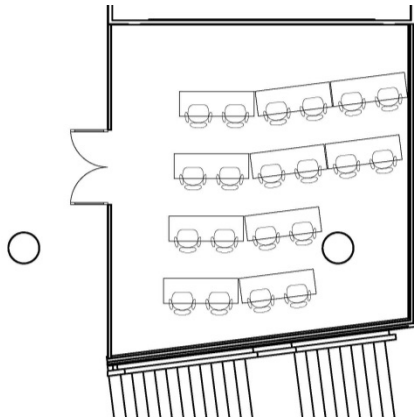
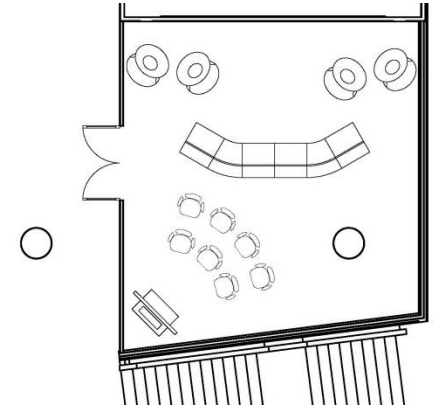
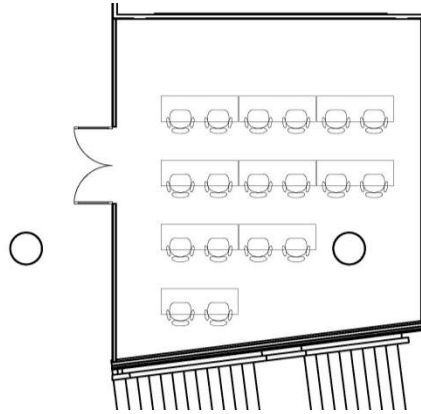
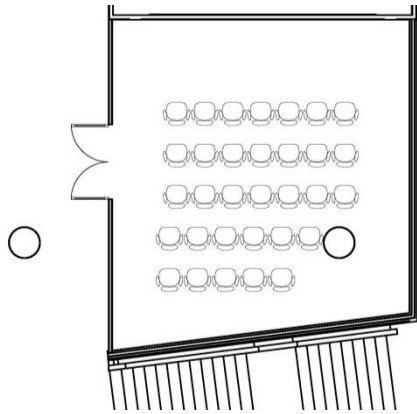


**Changes to the third floor
at Hunt Library**





Game Lab console to be removed



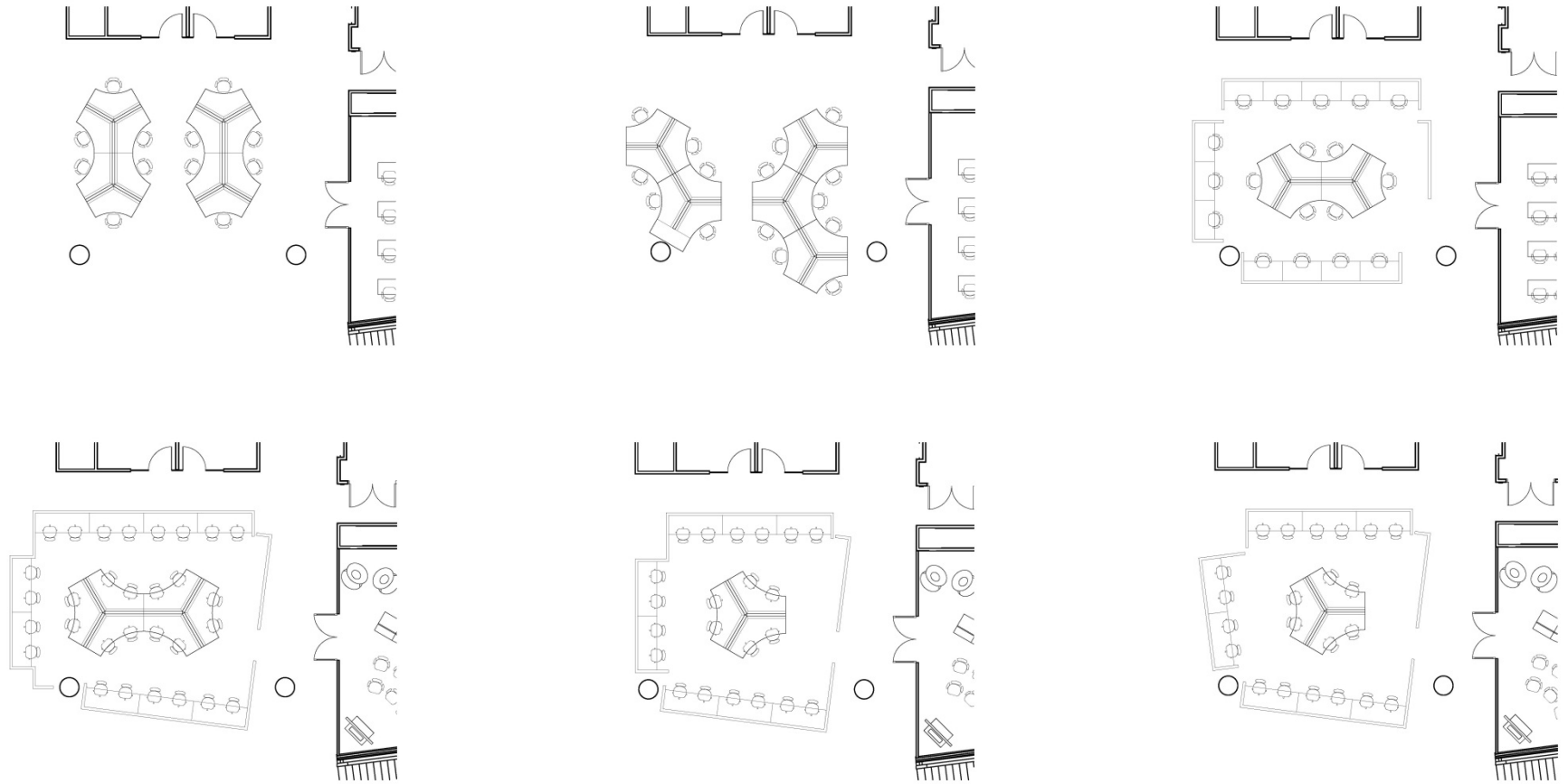
Game Lab layouts



Location of Data Science Commons



Data Science Commons layouts



Data Science Commons layouts

1. Seating along west exterior wall

- We know that the ball chairs are very popular.
- We could remove/relocate some of the Nelson “Coconut” lounge chairs.
- We could add more ball chairs and/or other semi-enclosed chairs such as the Steelcase Brody or the Agati Pod (see photos below).
- We could add standard-height tables, perpendicular to the wall, with task chairs.

2. The Pods

- These occupy a large footprint, block views across the floor, and don’t seem especially popular with students.
- We could relocate them to another location on the third floor, or remove them (use at Hill?).
- We could remove the outer curved wall and replace the poufs with task chairs.
- It may be possible to put two table units back to back, eliminating the triangular space in the center (similar to the precedent in the UK).

3. Area to the west of the Game Lab

- This is the designated location for the Data Science Commons, to include four high-end desktop workstations, two advanced computing workstations, twelve large high definition monitors (two per workstation), two 55" displays, and two display carts.
- We need to decide if we want to use the Knoll Antenna 120-degree furniture system already used on this floor, or some other system.

4. The middle portion of the open area, west of the stair coming up from the second floor

- This area currently contains a mixture of lounge seating with some study tables and task chairs.
- We could reduce the variety of lounge seating and increase the amount of study seating.

5. The Print/Copy/Scan area

- Like the pods, this occupies a large footprint and blocks views across the floor.
- We could do one or more of the following: relocate, reduce in size, remove enclosing walls.



Agati Pod



Steelcase Brody



6. Former Presentation Practice Room #3211

- Re-purpose as group study room? Some other function?

7. Wide corridor near Room #3217

- During the original planning for Hunt Library, this area was identified as a possible staff area since it is near the stairs down to Ask Us.

8. Game Lab #3201

- Remove existing console.
- Refresh display.
- Improve service/tech access (from Corridor #3001 if possible).
- New furniture? Other A/V improvements?
- Repair/replace defective smart glass.

9. Overlook near the yellow stairs

- We have discussed the views of the second floor from this area, and that the space is visible to people on the second floor as they enter.
- What is the best use for this space?
- What is the appropriate furniture?
- Is any computing needed here?

10. Double-height space where big table is currently located

- Is a long table like this something that the students want?
- Is this the best location for a long table?
- This area can be viewed from the fourth floor. Could we put something here that is more visually interesting when viewed from above?

11. The narrow area at the south end of the floor

- Touchscreen on wall is now active.
- Is there a better furniture solution than the existing Pebble tables?

Other areas on the third floor



Other areas on the third floor: Overlook



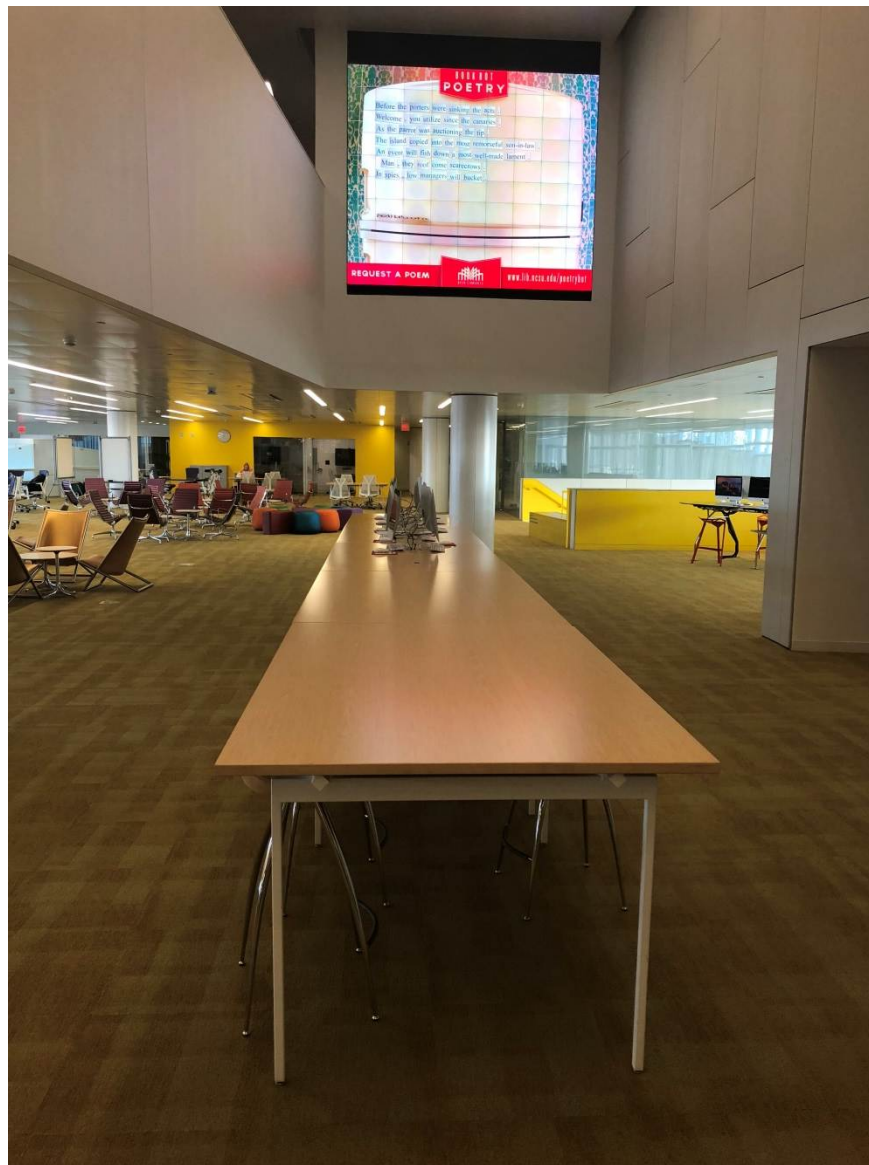
Other areas on the third floor: Overlook



Other areas on the third floor: Pods



Other areas on the third floor: Print/Copy/Scan



Other areas on the third floor: Long table



Other areas on the third floor: Amount of lounge seating vs. study seating